



# MASTARE B



**HIGH EFFICIENCY**  
up to  
**150 Lm/w**

**WARRANTY**  
**10 YEARS**

**ELECTRIC**

Power	160w	240w	480w	720w
Input voltage	100-277V			
Frequency	50/60 Hz			
Power factor	> 0.95			
Dimming type	Non-dimmable			

**LIGHTING**

Beam angle	Cf diagrams of photometry			
Efficiency	140 lm/w			
Luminous flux @5000K	24000lm	33600lm	67200lm	100800lm
Luminous Flux @4000K	23200lm	32500lm	65000lm	97000lm
Luminous Flux @3000K	21600lm	30000lm	60000lm	90000lm
CRI	70			
Color temperature	3000 / 4000 / 5000K			

**COMPONENTS AND STRUCTURE**

Frame material	Aluminum
Product color	Grey* / Black (*On order)
Screw material	Stainless steel 316
Cable Specifications	HO7RNF (3C*1.5mm non-dimmable / 5C*1.5mm dimmable )
LED chips	Lumileds 5050

**ADDITIONAL INFORMATION**

Waterproof	IP66
Impact resistance	IK10
Storage temperature	-40°C / +80°C
Operating temperature	-40°C / +50°C
Storage humidity	10%-90%
Service life	L80 B10 - 100,000 Hours @ 50°C
Warranty	10 years old
Wind resistance	Up to 60m/s (216km/h)
Surge protection	20kV
International Standards	CE (EMC/LVD) / ROHS

**PACKAGING**

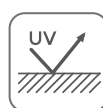
Product Dimension (mm)	397x334x132	397x334x132	407x608x142	628x608x142
Net product weight (KG)	7.6KG	7.8KG	13.7KG	19.0KG
Gross weight of the box (KG)	8.8KG	8.0KG	15.2KG	21.0KG
PCB/ Carton	1 pc	1 pc	1 pc	1 pc
Carton size (mm)	535x425x160	475x425x160	570x700x160	790x700x160



**POWER SUPPLY**  
Very long life life.



**RESISTANCE TO ENVIRONMENTS OF CATEGORY C5M**  
Highly durable.



**LENSES 100% POLYCARBONATE POLYCARBONATE**  
UV and impact resistant.



IP66



IK10



3000K-5000K



CRI >70



>100 000 h



100-277V

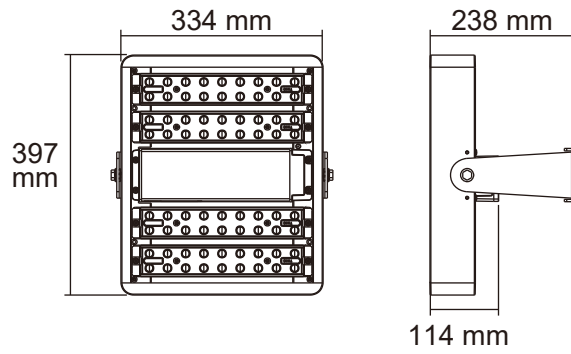


LUMILEDS 5050

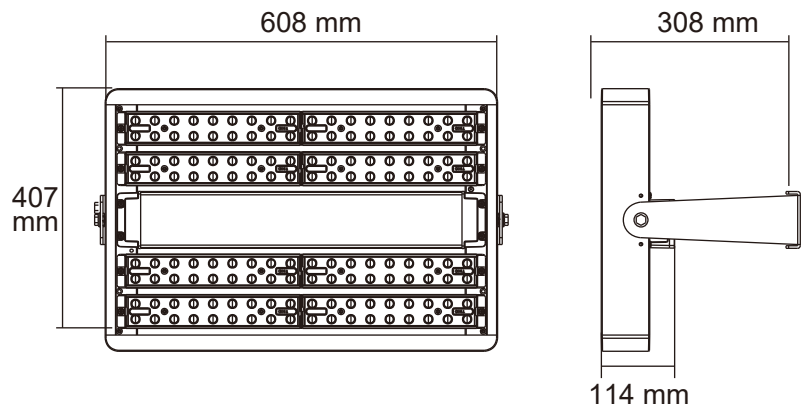


## DIMENSIONS

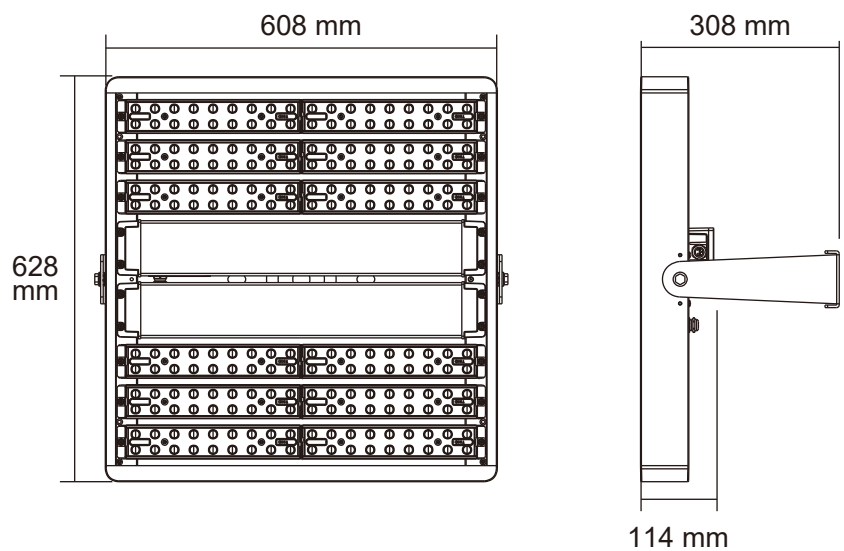
### 160W / 240W



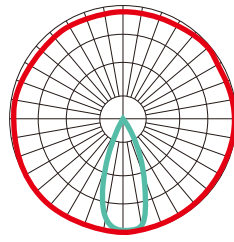
### 480W



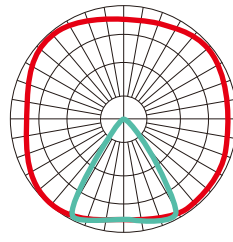
### 720W



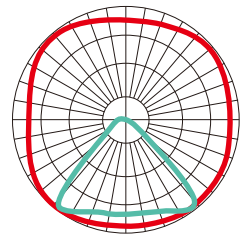
**PHOTOMETRY**



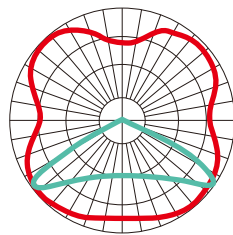
40°



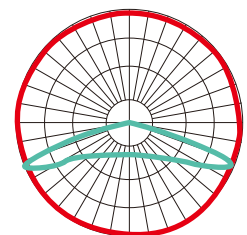
60°



90°



120°  
(symétrique)



150°  
(symétrique)

**WHERE TO INSTALL  
THE MASTARE?**



**AIRFIELDS, SPORTS FACILITIES,  
INDUSTRIAL AREAS**