



EVO-H

SOLAR LIGHTING



The EVO-H elegantly combines electric autonomy and flexibility. With a wide range of mounting accessories and a solar panel that can be oriented as you wish, the EVO-H can be adapted to all kinds of installation places: a villa in the countryside, the center of a village, public buildings... The only limit is your your imagination.

UP TO 13000 Lumens*

*Contacter KAPSEA / ou les distributeurs pour le dimensionnement et la vérification



**EVO-H PANEL ADJUSTABLE
FOR OPTIMAL EXPOSURE**

**ROBUST & ELEGANT
DESIGN**

**LED MODULE
HIGH EFFICIENCY**

200 LM/W

High rentability LED module for maximum energy consumption optimisation.

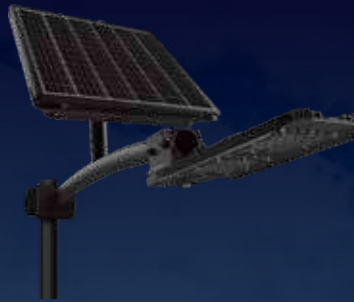
**LIFEPO4
>2,000 CHARGE
CYCLES**

High performance and long life LIFEPO4 batteries.





MOUNTING ACCESSORIES



POLE INSTALLATION

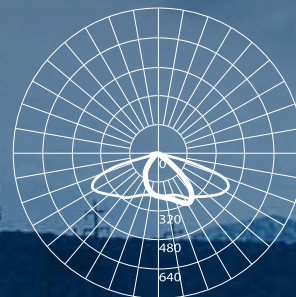


WALL INSTALLATION

PHOTOMETRY



EVO H LAMP 80W,
RECOMMENDED CONSUMPTION 20W



EVO H LAMP 100W,
RECOMMENDED CONSUMPTION 30W

WHERE TO INSTALL THE EVO-H ?



STREETS, ROADS, SMALL TOWNS, VILLAGES.

36

45

60

**SOLAR PANELS
POWER RATING**

36Wp

45Wp

60Wp

SOLAR PANEL TYPE

MONOCRYSTALLIN

**LIGHTING MODULES
AVAILABLE**

LED light head 50w / 7500 lumens max. Recommended setting is 10w / 2000lm (@4000k - CRI > 70). IP66

LED light head 80w / 12000 lumens max. Recommended setting 20w / 4000lm (@4000k - CRI > 70). IP66

LED light head 100w / 16000 lumens max. Recommended setting 30w / 6000lm (@4000k - CRI > 70). IP66

AVAILABLE BATTERIES

150Wh
(12A h/ 12.8V)

300Wh
(24Ah / 12.8V)

384Wh
(30Ah / 12.8V)

MATERIALS

Aluminium / Polycarbonate lenses

DIMENSIONS



IP66



LUMILEDS
LUXEON 5050



CRI >70



2700K/4000K



PHOTO-
CELL SENSOR



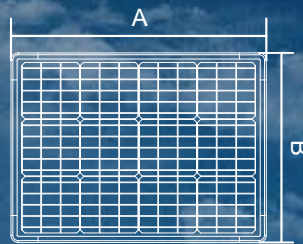
LiFePO4
>2000 CYCLES



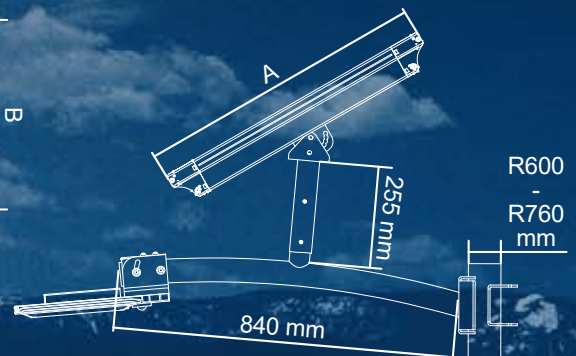
TIME
SCHEDULE



MOTION
SENSOR



	A	B
36	507	527
45	572	527
60	710	527



MAX.50W

200 mm

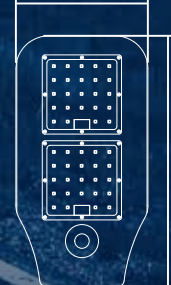


128 mm



MAX.80W

200 mm

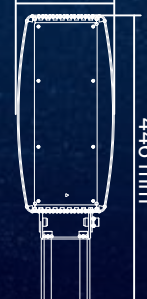


128 mm



MAX.100W

150 mm



116 mm



**WARRANTY
5 YEARS**